



ZIP FLUSHMASTER STANDARD WS003

Order Code 41095

Zip FlushMaster® Standard ceiling recessed infrared urinal flushing system with variable flush cycle to meet your needs precisely.

- Solenoid latching valve supplied with connections
- Variable flush cycle to allow for site requirements
- Catering for long slab troughs and wall-hung urinals
- Battery operated for simple, inexpensive installation
- Optional power pack connects to 220/240 volt AC power

Manufacturing Code	41095
--------------------	-------



Water Pressure	min 100kPa - max 700kPa
----------------	-------------------------

Power Supply	Battery 6V Lithium
--------------	--------------------

Dimensions	H85mm x D128mm
------------	----------------

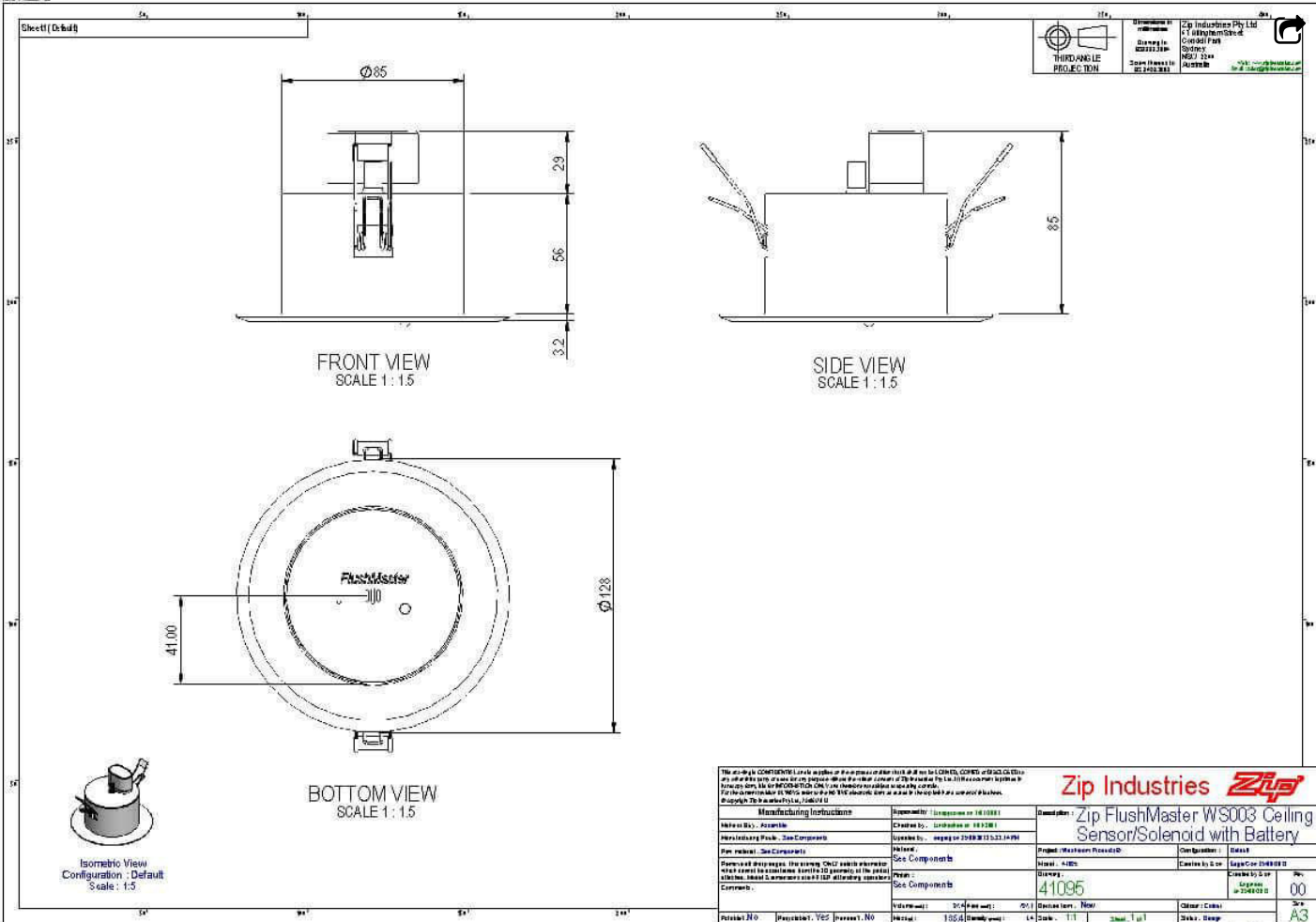
Product Approvals	WaterMark, CE,
-------------------	----------------

Warranty	1 Year
----------	--------

Installation Requirements

Must be installed by a suitably qualified person in accordance with manufacturers instructions and with all relevant plumbing and electrical regulations

Installation Detail



Zip Industries Pty Ltd
 171 Wellington Street
 Geelong VIC
 3220 Australia
 Phone: 03 5242 3333
 Fax: 03 5242 3334
 Email: sales@zipindustries.com.au

<p>The information contained on this drawing is the property of Zip Industries Pty Ltd. It is to be used only for the purpose intended and is not to be reproduced, stored in a retrieval system, or transmitted in any form or by any means, electronic, mechanical, photocopying, recording, or by any information storage and retrieval system, without the prior written permission of Zip Industries Pty Ltd. All rights reserved.</p>		<p>Zip Industries </p>	
<p>Manufacturing Instructions</p>		<p>Description: Zip FlushMaster WS003 Ceiling Sensor/Solenoid with Battery</p>	
<p>Material: - Assemble</p>	<p>Approved by: [Signature]</p>	<p>Model: - 41095</p>	<p>Drawn by: [Signature]</p>
<p>Manufacturing Point: - See Components</p>	<p>Issued by: [Signature]</p>	<p>Project: - [Project Name]</p>	<p>Checked by: [Signature]</p>
<p>Plan released: - See Components</p>	<p>Issue: [Number]</p>	<p>Quantity: [Quantity]</p>	<p>Created by: [Signature]</p>
<p>Approved drawings: The drawing shall include all dimensions and tolerances for the parts to be manufactured. All dimensions shall be in millimeters unless otherwise specified.</p>	<p>See Components</p>	<p>Quantity: 41095</p>	<p>Created by: [Signature]</p>
<p>Comments:</p>	<p>See Components</p>	<p>Quantity: 41095</p>	<p>Created by: [Signature]</p>
<p>Part No: [Part No]</p>	<p>Material: [Material]</p>	<p>Quantity: [Quantity]</p>	<p>Created by: [Signature]</p>
<p>Part No: [Part No]</p>	<p>Material: [Material]</p>	<p>Quantity: [Quantity]</p>	<p>Created by: [Signature]</p>